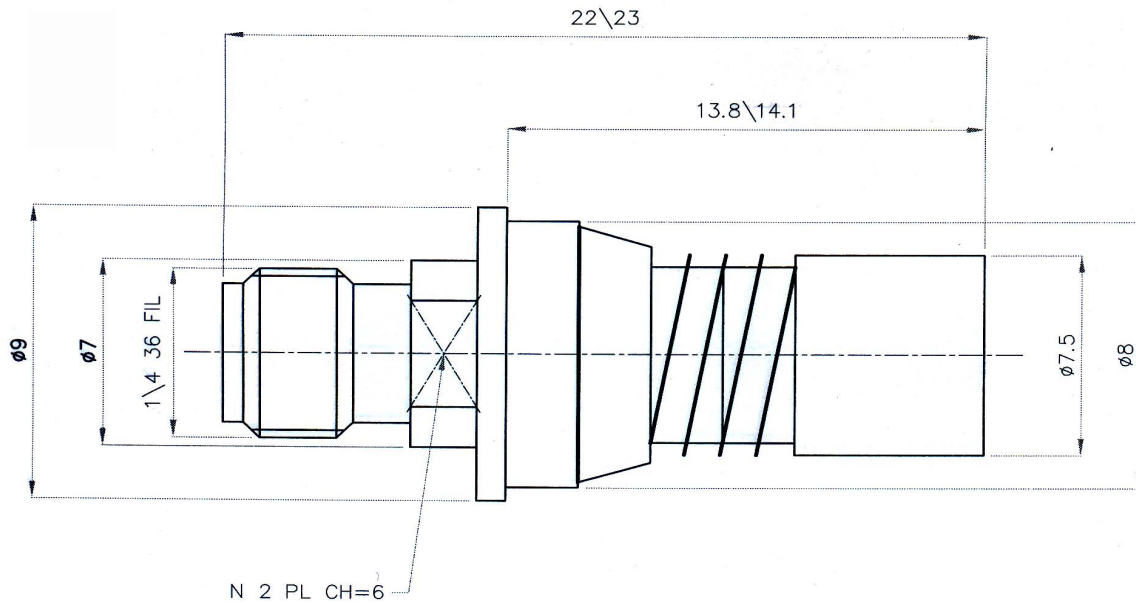


## DATA SHEET

P/N	DESCRIPTION	
KS3317331	BULKHEAD ADAPTOR BMA/OSP JACK TO SMA JACK	
ELECTRICAL DATA		NOTES
IMPEDANCE	50 OHM	
FREQUENCY RANGE	DC - 18 GHz	
V.S.W.R.	1.10 1.16	5 GHz 15 GHz
ATTENUATION	<0.055 dB	
TEMPERATURE RANGE	- 55 + 155°C	
2002/95/EC (RoHS)	COMPLIANT	
MATERIAL DATA		
CONNECTOR PART	MATERIAL	PLATING
BODY	STAINLESS STEEL AIS303	PASSIVATED
CONTACT	BERYLLIUM COPPER	GOLD MIL-G-45204 TYPE II
INSULATORS	PTFE	POLITETRAFLUOROETILENE TEFLON ( DUPONT ) ALGOFLON ( HOECHST )



SCALA 1:1

Dimensins mm

---