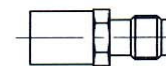
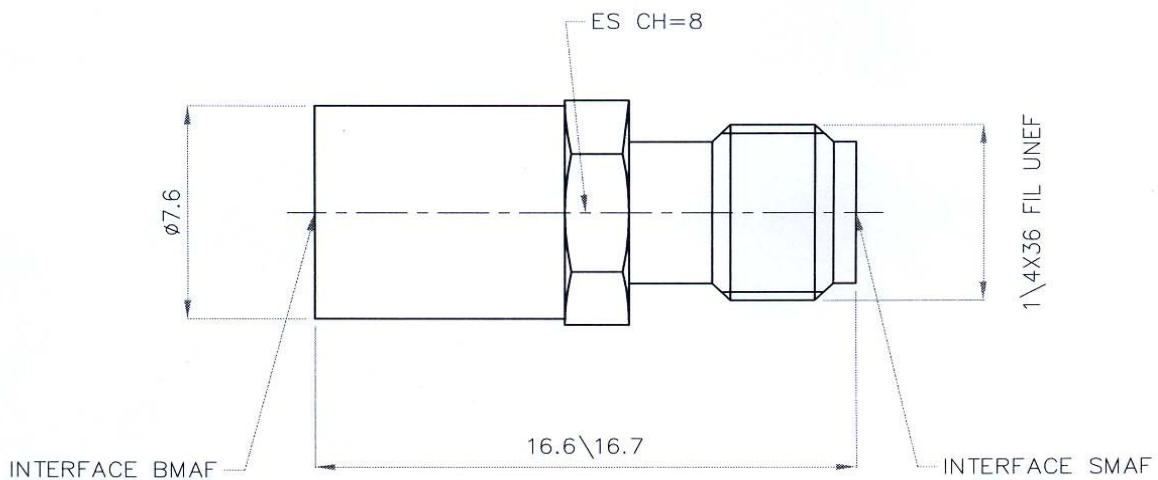


DATA SHEET

P/N	DESCRIPTION	
KS3313331	ADAPTOR BMA/OSP JACK TO SMA PLUG	
ELECTRICAL DATA	NOTES	
IMPEDANCE	50 OHM	
FREQUENCY RANGE	DC - 18 GHz	
V.S.W.R.	$1.05 + 0.007 \times f$ GHz	
TEMPERATURE RANGE	- 65 + 125°C	
2002/95/EC (RoHS)	COMPLIANT	
MATERIAL DATA		
CONNECTOR PART	MATERIAL	PLATING
BODY	STAINLESS STEEL AISI 303	PASSIVATED
OUTER CONTACT	BERYLLIUM COPPER	GOLD
CENTRE CONTACT	BERYLLIUM COPPER	GOLD
INSULATORS	PTFE	



SCALA 1:1