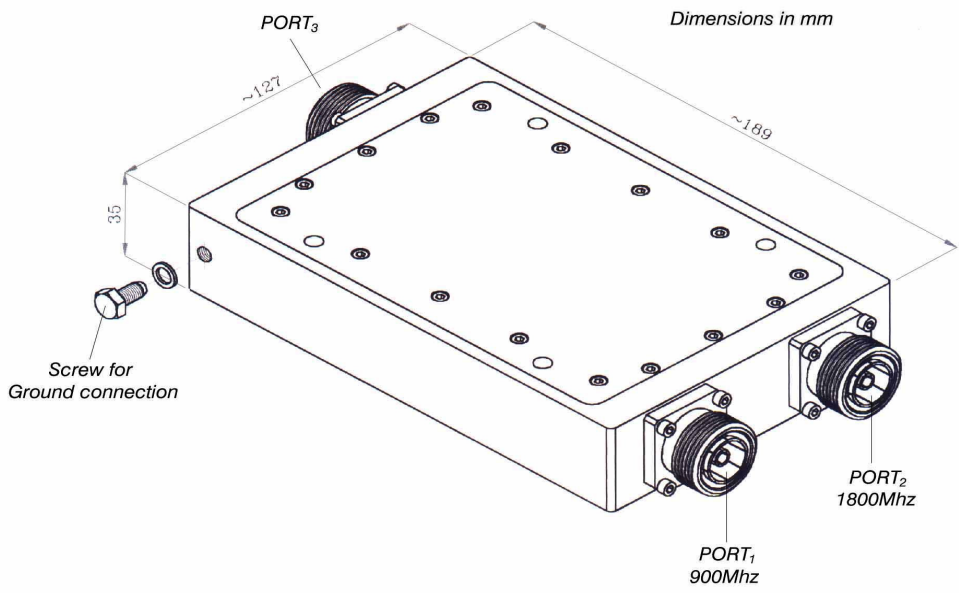


DATA SHEET		
P/N	DESCRIPTION	
FTD70124	DUPLEXER FILTER 7/16 JACK Freq: 800 - 2200 MHz WATERTIGHT IP65	
ELECTRICAL DATA		NOTES
IMPEDANCE	50 OHM	
FREQUENCY 1 (BAND 1)	0,8 - 1 GHz	
2 (BAND 2)	1,7 - 2,2 GHz	
V.S.W.R.	< 1.30:1	
ATTENUATION PORT 3 - PORT 1	(BAND 1) 0,15 dB	
PORT 3 - PORT 2	(BAND 2) 0,25 dB	
INSULATION PORT 1 - PORT 2	45dB MIN (BAND 1) 50dB MIN (BAND 2)	
MAX POWER (BAND 1)	250 WATT MAX	
(BAND 2)	150 WATT MAX	
MECHANICAL SPECIFICATIONS		NOTES
CONNECTOR	7/16 JACK	
MATERIAL DATA		
CONNECTOR PART	MATERIAL	PLATING
BODY	ALUMINIUM	
CONNECTOR BODY	BRASS	
CONTACT CONNECTORS	CUBE	
CASE	ALUMINIUM	
2002/95/EC (RoHS)	COMPLIANT	
		
Dimensions mm		