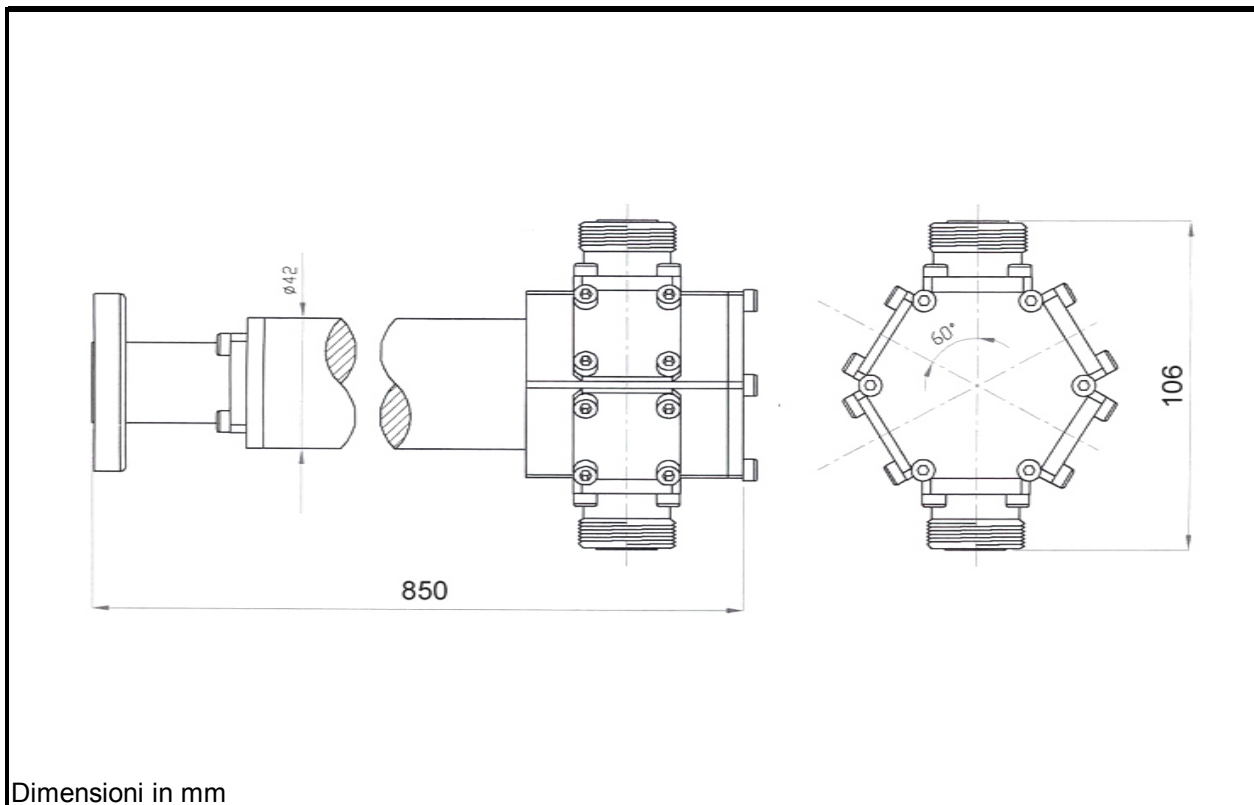


DATA SHEET

| P/N | DESCRIPTION | |
|---------------------------|--|---------------|
| DPI780701X2509 | POWER DIVIDER INDUCTION 50Ω, 1 IN 7/8", 2 OUT 7/16 | |
| ELECTRICAL DATA | NOTES | |
| IMPEDANCE | 50Ω | |
| FREQUENCY RANGE | 87 - 108MHz | |
| MAX POWER | 5KW | |
| LINE DERIVATIVE | 2 | |
| V.S.W.R. | 1.06 | 100MHz |
| ATTENUATION | 0.2 ÷ 0.5 | OVER COUPLING |
| DC CAPABILITY | NO DC BLOCK | |
| MECHANICAL SPECIFICATIONS | NOTES | |
| INPUT CONNECTORS | 7/8" | |
| OUTPUT CONNECTORS | 7/16 | |
| MATERIAL DATA | | |
| CONNECTOR PART | MATERIAL | PLATING |
| CONNECTOR BODY | BRASS | |
| BODY | BRASS | |
| CONTACT 7/8" | BRASS | |
| CONTACT 7/16 | BERYLLIUM COPPER | |
| DIELECTRIC | PTFE | |
| 2002/95/EC (RoHS) | COMPLIANT | |



Dimensioni in mm