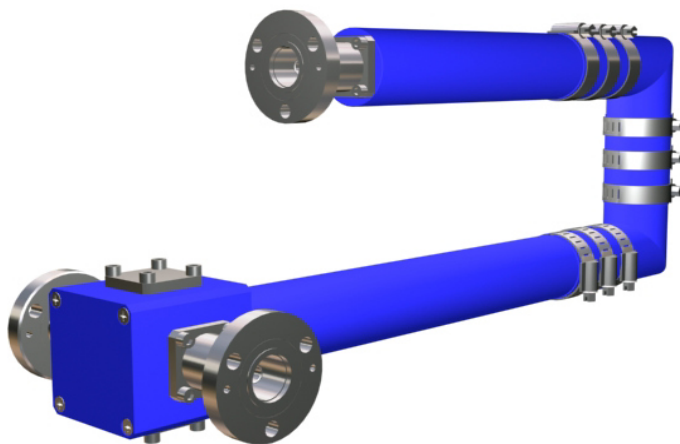


DATA SHEET

P/N	DESCRIPTION	
DPI7800X2509U	POWER DIVIDER INDUCTION TO U 50Ω 1 IN 7/8" 2 OUT 7/8"	
ELECTRICAL DATA	NOTES	
IMPEDANCE	50Ω	
FREQUENCY RANGE	87 - 108MHz	
MAX POWER	5KW	
LINE DERIVATIVE	2	
V.S.W.R.	1.09	FULL BAND
ATTENUATION	0.2 - 0.5	OVER COUPLING
DC CAPABILITY	NO DC BLOCK	

MECHANICAL SPECIFICATIONS	NOTES	
INPUT CONNECTORS	7/8"	
OUTPUT CONNECTORS	7/8"	
MATERIAL DATA		
CONNECTOR PART	MATERIAL	PLATING
CONNECTOR BODY	BRASS	
BODY	BRASS	
CONTACT 7/8"	BRASS	
DIELECTRIC	PTFE	
2002/95/EC (RoHS)	COMPLIANT	



Dimensioni in mm

