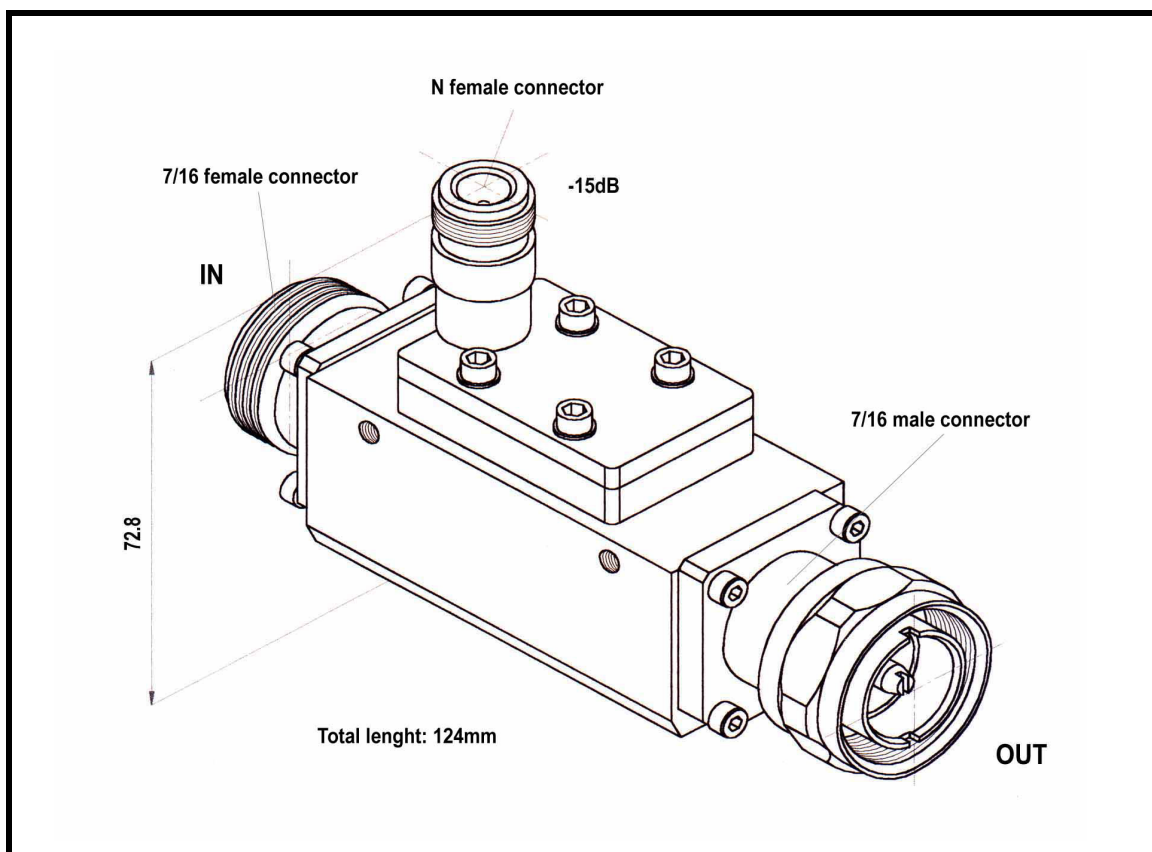


## DATA SHEET

P/N	DESCRIPTION	
DPC7021X2522C	POWER TAPPERS (SNIFFER) MULTIBAND 2 WAY 7/16 PLUG -JACK 50 OHM FREQ:800-2500MHZ	
ELECTRICAL DATA	NOTES	
IMPEDANCE	50 OHM	
FREQUENCY RANGE	800 -2500 MHz	
MAX POWER	150 WATT	
V.S.W.R.	< 1.5	
ATTENUATION	< 0,04 dB	OVER COUPLING
COUPLING IN - OUT 1	- 0.1dB	MAIN LINE
COUPLING IN - OUT 2	- 15dB	LINE DERIVATIVE OUT 2 IS COUPLED CAPACITIVELY (DC BLOCK)
MECHANICAL SPECIFICATIONS	NOTES	
INPUT CONNECTORS	7/16 JACK	
OUTPUT CONNECTORS	7/16 PLUG	
CONNECTORS LINE DERIVATIVE	N JACK	
MATERIAL DATA		
CONNECTOR PART	MATERIAL	PLATING
CONNECTOR BODY	BRASS	
CONTACT CONNECTORS	BERYLLIUM COPPER	
DIELECTRIC	PTFE	
BODY	ALUMINIUM	
USE		INDOOR
2002/95/EC (RoHS)	COMPLIANT	



---