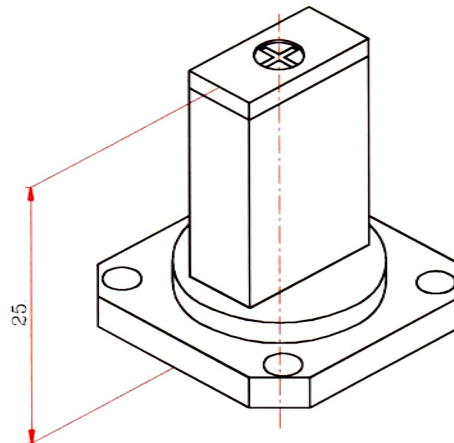


DATA SHEET

P/N	DESCRIPTION
CUBR220005	TERMINATION WR42 5W

ELECTRICAL DATA	NOTES
FREQUENCY RANGE	17.6 - 26.7 GHz
V.S.W.R.	01:06
POWER	5 W

MATERIAL DATA		
CONNECTOR PART	MATERIAL	PLATING
WAVE GUIDE WR75	COPPER	
FLANGE	BRASS	
2002/95/EC (RoHS)	COMPLIANT	



Dimensions mm