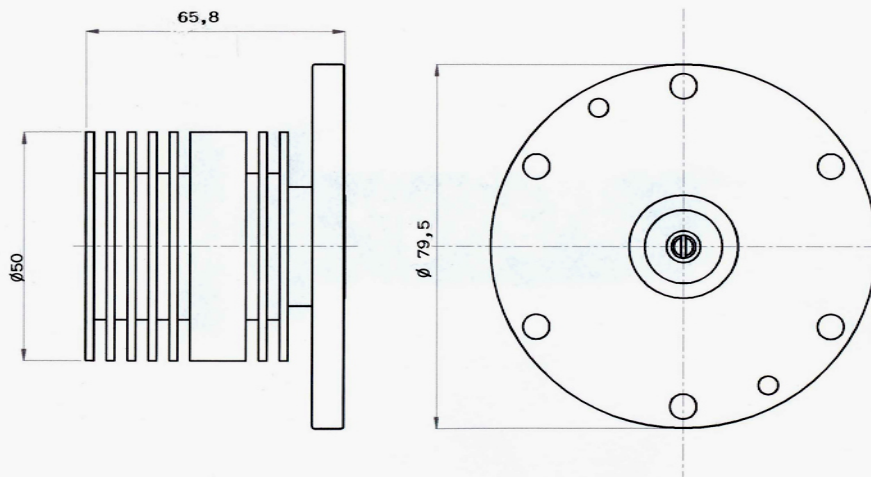
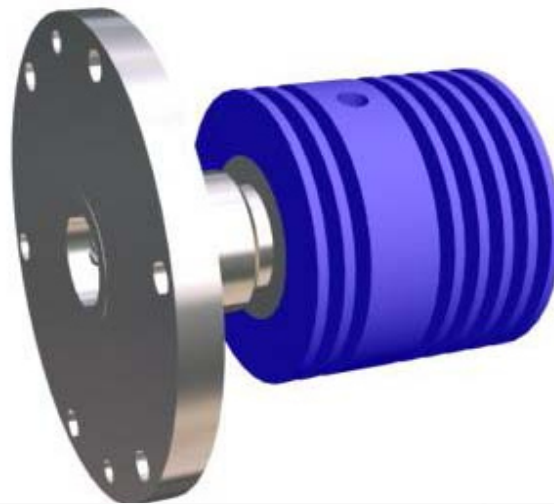


DATA SHEET

P/N	DESCRIPTION	
C7400525	TERMINATION 7/16 FLANGE 50Ω - 25W	
ELECTRICAL DATA		NOTES
IMPEDANCE	50Ω	
FREQUENCY RANGE	DC ÷ 7GHZ	
V.S.W.R.	01:15	2.5GHz
POWER	25W	
2002/95/EC (RoHS)	COMPLIANT	
MATERIAL DATA		
CONNECTOR PART	MATERIAL	PLATING
CONNECTOR BODY	BRASS	
CONTACT 7/16 FLANGE	BRASS	
DIELECTRIC	PTFE	
HOUSING BODY	BRASS	
HEAT SINK	ALUMINUM	



Dimensions mm