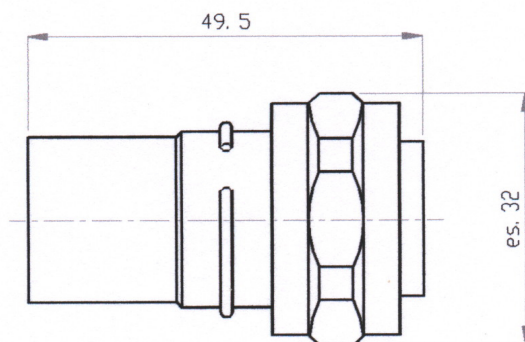


DATA SHEET

P/N	DESCRIPTION	
C6920705	TERMINATION 4.6/16 PLUG 75Ω - 5W	
ELECTRICAL DATA		
IMPEDANCE	75Ω	NOTES
FREQUENCY RANGE	DC ÷ 2GHz	
V.S.W.R.	01:07	1GHz
POWER	5W	
MATERIAL DATA		
CONNECTOR PART	MATERIAL	PLATING
CONNECTOR BODY	BRASS	
CONTACT 7/16	BRASS	
DIELECTRIC	PTFE	
HOUSING BODY	BRASS	
2002/95/EC (RoHS)	COMPLIANT	



Dimensions mm