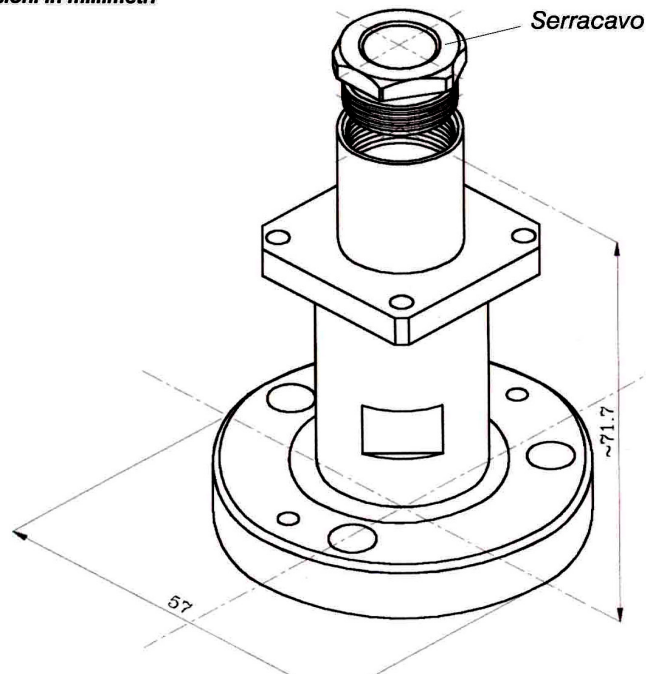


DATA SHEET

P/N	DESCRIPTION	
780611	7/8 PANEL MOUNT 32X32 FOR RG8/9/115/213/214 CABLES	
ELECTRICAL DATA		NOTES
IMPEDANCE	50 OHM	
FREQUENCY RANGE	DC - 5 GHz	
V.S.W.R.	1.09 1.12 1.19	DC - 1 GHz 1 - 2 GHz 2 - 5 GHz
ATTENUATION	0.05 dB	
2002/95/EC (RoHS)	COMPLIANT	
MATERIAL DATA		
CONNECTOR PART	MATERIAL	PLATING
BODY	BRASS	
CONTACT	BRASS	
INSULATORS	PTFE	

Dimensioni in millimetri



Dimensions mm