

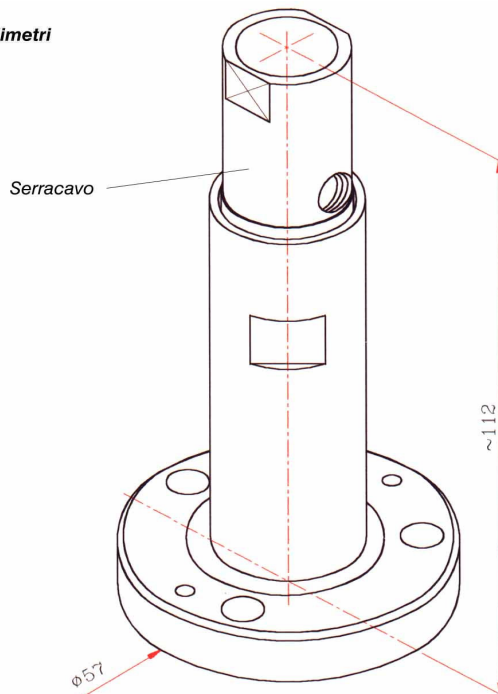
## DATA SHEET

P/N	DESCRIPTION	
780038	EIA 7/8" FOR 3/8" AIR CABLE	
ELECTRICAL DATA		NOTES
IMPEDANCE	50 OHM	
FREQUENCY RANGE	DC - 5 GHz	
V.S.W.R.	1.05 1.12 1.25	DC - 1GHz 1 - 2 GHz 2 - 5 GHz
ATTENUATION	0.05 dB	
2002/95/EC (RoHS)	COMPLIANT	

### MATERIAL DATA

CONNECTOR PART	MATERIAL	PLATING
BODY	BRASS	
CONTACT	BERYLLIUM COPPER	
INSULATORS	PTFE	

*Dimensioni in millimetri*



Dimensions mm