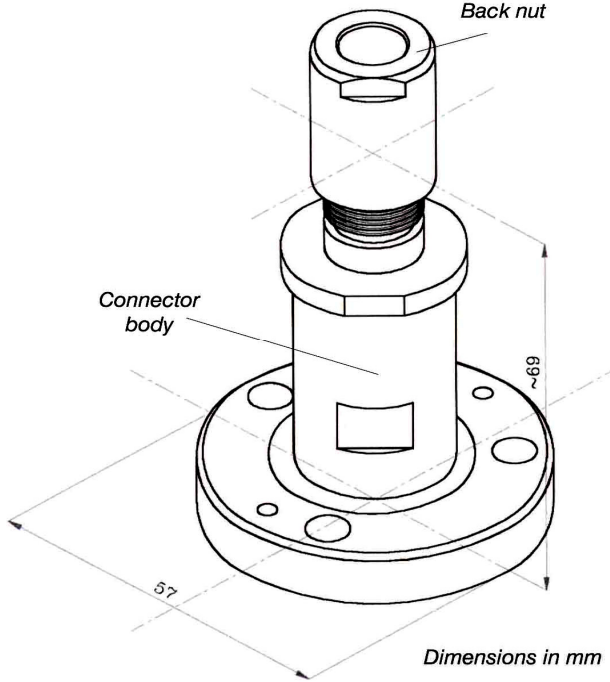


DATA SHEET		
P/N	DESCRIPTION	
780014	EIA 7/8" FOR 1/4" FOAM CABLE	
ELECTRICAL DATA		NOTES
IMPEDANCE	50 OHM	
FREQUENCY RANGE	DC - 5 GHz	
V.S.W.R.	1.08 1.12 1.20	DC - 1 GHz 1 - 2 GHz 2 - 5 GHz
ATTENUATION	0.05 dB	
2002/95/EC (RoHS)	COMPLIANT	
MATERIAL DATA		
CONNECTOR PART	MATERIAL	PLATING
BODY	BRASS	
CONTACT	BERYLLIUM COPPER	
INSULATORS	PTFE	
2002/95/CE (RoHS)	CONFORME	
		
Dimensions mm		