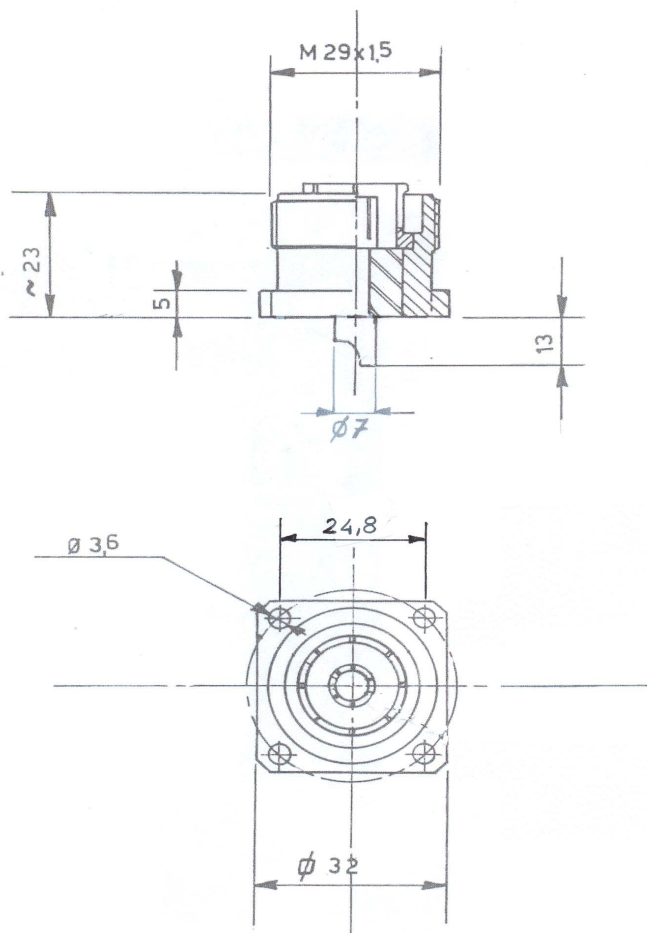


## DATA SHEET

P/N	DESCRIPTION	
701532	7/16 JACK PANEL MOUNT 32X32	
ELECTRICAL DATA		NOTES
IMPEDANCE	50 OHM	
FREQUENCY RANGE	DC - 7 GHz	
V.S.W.R. (ON RIGID LINE)	1.04 1.08 1.12	DC - 1 GHz 1 - 2 GHz 2 - 5 GHz
ATTENUATION	0.05 dB	
2002/95/EC (RoHS)	COMPLIANT	

MATERIAL DATA		
CONNECTOR PART	MATERIAL	PLATING
BODY	BRASS	
CONTACT	BERYLLIUM COPPER	
INSULATORS	PTFE	



Dimensioni in mm