

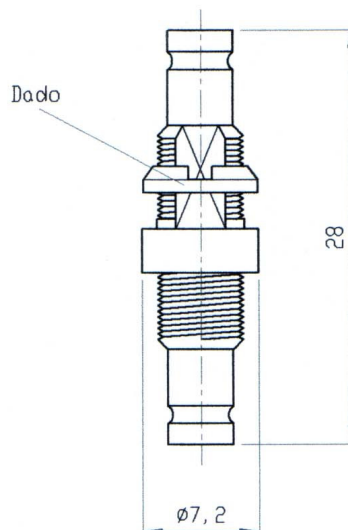
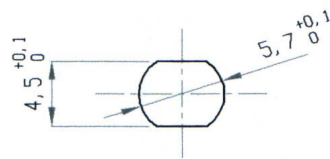
## DATA SHEET

P/N	DESCRIPTION	
4217421	BULKHEAD ADAPTOR 1,0/2,3 JACK TO 1,0/2,3 JACK	
ELECTRICAL DATA		NOTES
IMPEDANCE	75 OHM	
FREQUENCY RANGE	DC - 1 GHz	
V.S.W.R.	1.12	
ATTENUATION	0.05 dB	
2002/95/EC (RoHS)	COMPLIANT	

## MATERIAL DATA

CONNECTOR PART	MATERIAL	PLATING
BODY	BRASS	
CONTACT	BERYLLIUM COPPER	
INSULATORS	PTFE	

foratura pannello



Dimensions mm