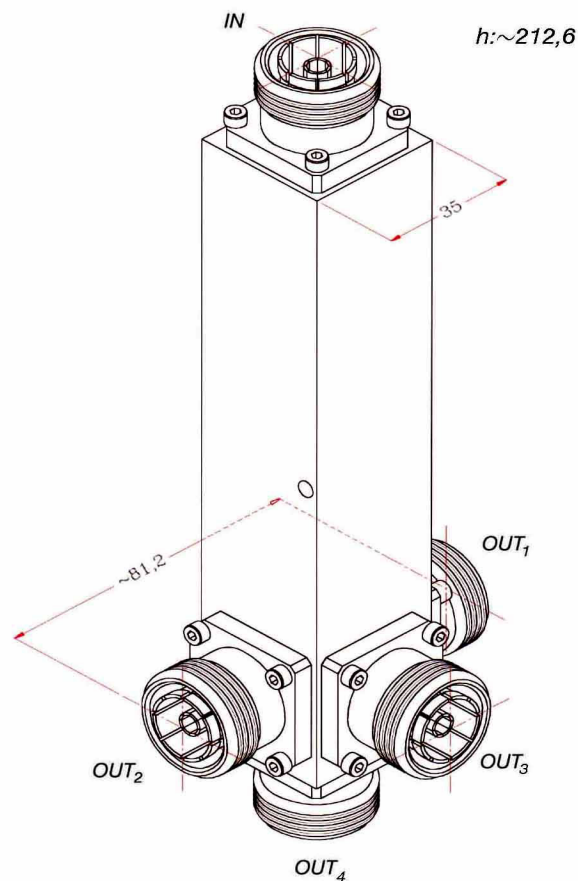


DATA SHEET

P/N	DESCRIPTION	
DPI7011X4522SGDR	POWER SPLITTER MULTIBANDA (NO DC BLOCK) 7/16 JACK 1/4 (1 IN - 4 OUT) 50 OHM FREQ: 800-2500 MHz (1 OUT STRAIGHT) WATERTIGHT IP65.	
ELECTRICAL DATA		NOTES
IMPEDANCE	50 OHM	
FREQUENCY RANGE	800 - 2500 MHz	
MAX POWER	150 WATT	
LINE DERIVATIVE	4	
V.S.W.R.	< 1.2	
ATTENUATION	< 0.05 dB	OVER COUPLING
DC CAPABILITY	NO DC BLOCK	
MECHANICAL SPECIFICATIONS		NOTES
INPUT CONNECTORS	7/16 JACK	
OUTPUT CONNECTORS	7/16 JACK	
MATERIAL DATA		
CONNECTOR PART	MATERIAL	PLATING
CONNECTOR BODY	BRASS	
CONTACT CONNECTORS	BERYLLIUM COPPER	
DIELECTRIC	PTFE	
BODY	ALUMINIUM	
2002/95/EC (RoHS)	COMPLIANT	



Dimensions in mm