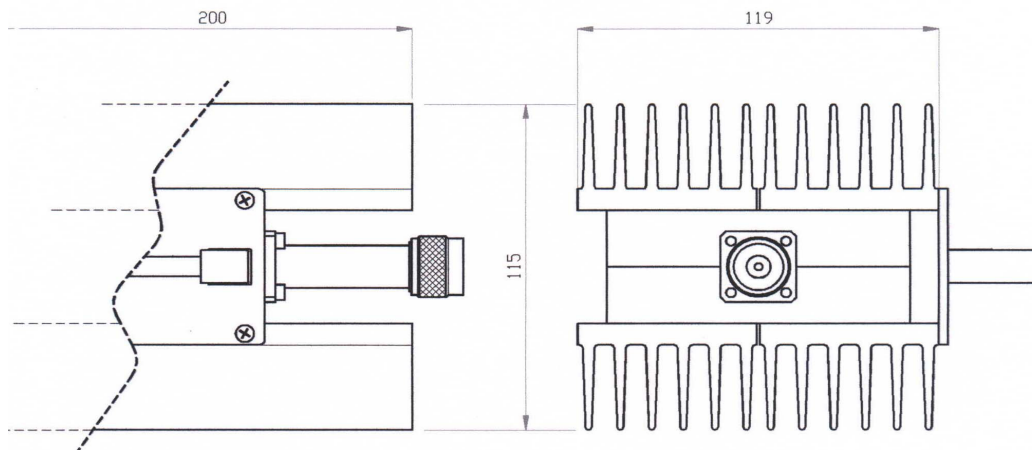
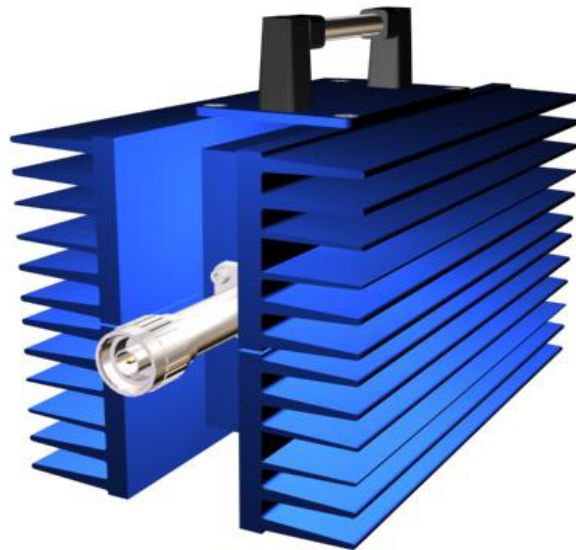


DATA SHEET

P/N	DESCRIPTION
C30205250	TERMINATION N PLUG 50Ω - 250W

ELECTRICAL DATA		NOTES
IMPEDANCE	50Ω	
FREQUENCY RANGE	DC ÷ 3GHz	
V.S.W.R.	01:15	2GHz
POWER	250W	
2002/95/EC (RoHS)	COMPLIANT	

MATERIAL DATA		
CONNECTOR PART	MATERIAL	PLATING
CONNECTOR BODY	BRASS	
CONTACT N PLUG	BRASS	
DIELECTRIC	PTFE	
HOUSING BODY	BRASS	
HEAT SINK	ALUMINUM	



Dimensions mm