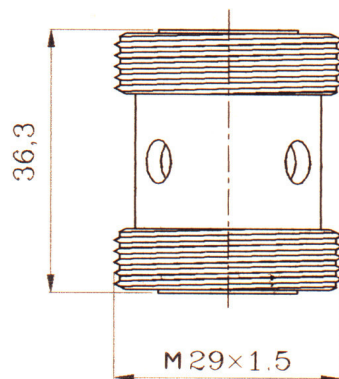


DATA SHEET		
P/N	DESCRIPTION	
7013701	ADAPTOR 7/16 JACK TO 7/16 JACK	
ELECTRICAL DATA		NOTES
IMPEDANCE	50 OHM	
FREQUENCY RANGE	DC - 7 GHz	
V.S.W.R.	1.03 1.05 1.06	DC - 1 GHz 1 - 2 GHz 2 - 5 GHz
ATTENUATION	0.05 dB	
2002/95/EC (RoHS)	COMPLIANT	

MATERIAL DATA		
CONNECTOR PART	MATERIAL	PLATING
BODY	BRASS	
CONTACT 7/16 PLUG	BRASS	
CONTACT 7/16 JACK	BERYLLIUM COPPER	
INSULATORS	PTFE	



Dimensions mm